

Columbia

PAKONA
ENGINEERING PVT. LTD.

Model FLm150

The Model FLm150 floor level palletizer provides a reliable solution to your material handling needs. Operating much like the FL100, the FLm150 is able to obtain greater speeds due to the addition of a layer storage table. The FLm150 can handle a wide variety of package types, including cases, trays, and display packs from a variety of industries including canned and frozen foods, beverage and many more. The FLm150 palletizes 30 cases per minute or more, depending on case size and pallet pattern. Like all heavy-duty Columbia Machine palletizers, the FLm150 has a reliable welded frame that is built to last and is EASY TO OPERATE.



FEATURES

- Stacks cases, trays, bundles, display packs and more
- Flexible, modular layout
- Convenient floor level operation
- Local support for parts and service
- Fully automatic - includes pallet dispenser
- UL approved or CSA certified controls
- Easy-to-operate (ETO)
- Reliable - Columbia has over 70 years in the industry
- FLm 150 manufactured in India

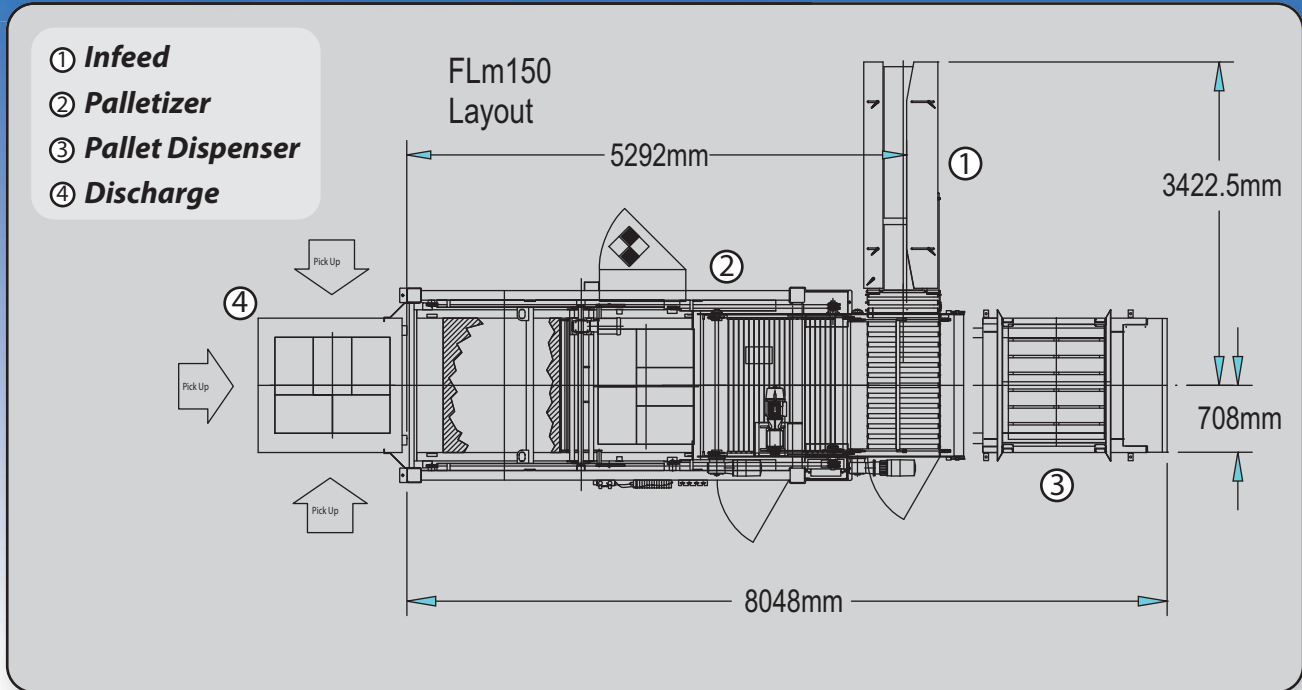
OPTIONS

- Slip sheet dispenser
- Soft product turning
- Upstream and downstream interfacing
- "Product Manager" software
- Pallet dispenser
- Discharge conveyor
- Speed enhancement upgrades
- Oversized loads (length, width and height)



Model FLm150

Palletizer Footprint (Many layout options available)



There are several reasons for choosing to palletize your packaging line automatically. First, palletizers stack a better quality load. Product damage caused by irregular loads is now part of the payback analysis to justify a palletizer. Secondly, palletized loads help save space as they are able to be stacked for onsite storage or shipping requirements.



Hand stacked load



Machine palletized loads



Manufacturing Facility:
333, G.I.D.C., MAKARPURA
VADODARA, 390010 INDIA
Website: www.columbia-pakona.com

PAKONA
ENGINEERS (I) PVT. LTD.

Sales Representation

Corporate Office:
22-D, Wadia Charities Building,
S A Brelvi Road, Fort, Mumbai 400 023, INDIA
Tel.: (91-22) 22854138, 22826751
Fax: (91-22) 22876171
Email: columbiachines@pakona.com
Website: www.pakona.com

www.palletizing.com